



Market Central[®]
www.secureswitch.com

500 Business Center Drive Pittsburgh, PA 15205 USA
412.494.2800 CAGE 1BGJ7

1U Remote Selector Switch, A/B/C



Part Number 5001193

For Controlling
SecureSwitch[®] Revision B & C Switches

Market Central Inc., 500 Business Center Drive, Pittsburgh, PA 15205
Phone: (412) 494-2800, Fax: (412) 494-5550, www.secureswitch.com CAGE Code 1BGJ7
Copyright[©] 2010. Market Central, Inc. All rights Reserved.
Market Central[®] and SwitchMaster[®] are registered trademarks of Market Central, Inc.

1. Introduction

The 1U rackmountable Remote Selector Switch is designed to control the switching function of one or more SecureSwitch Fiber Optic A/B/C Switch Revision B & C products. The Remote Selector Switch has a rear panel mounted 4 position screw terminal block that provides a dry contact switch closure between the screw terminal pin labeled "G" and either the "A", "B", or "C" screw terminal pin, depending on the switch position selected by the front panel mounted rotary switch.

2. Specifications

Connectors: (1) four position screw terminal block

Temperature: -4 to 158°F (-20 to +70°C)

Relative Humidity: 0 to 95%, noncondensing

Power: none required

Size: 5.8"D x 19"W x 1.75"H (1U rackmount)

Weight: 1.1 lbs

Switch Contact Ratings: switched up to 2.5A @ 125 VAC or 350 mA @ 125 VDC, carry up to 5 A continuous

Contact Resistance: less than 0.1 ohms

Reliability: 15,000 make and break cycles at full load, or 300,000 switch detent operations

3. Installation

To control a SecureSwitch using the Remote Selector Switch, simply connect the "A", "B", "C" and "G" screw terminal outputs on the Remote Selector Switch to the respective "A", "B", "C" and "G" remote control inputs on the SecureSwitch using stranded or solid wire cable. If multiple SecureSwitch units are being controlled by a single Remote Selector Switch, simply wire each of the "A", "B", "C" and "G" pins in parallel from each SecureSwitch, and then connect to the respective "A", "B", "C" and "G" screw terminal pins on the Remote Selector Switch.

To insure reliable operation, the total resistance of each of the four leads should be limited to no more than the following value:

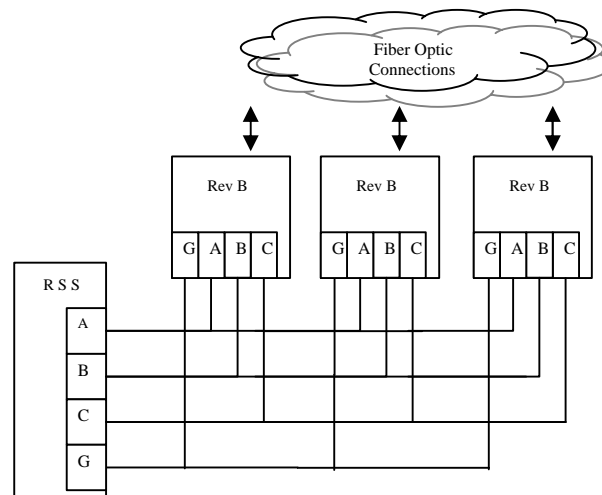
max lead resistance = 50 ohms divided by the number of SecureSwitches being controlled.

For example, if 4 SecureSwitch units are being controlled by a Remote Selector Switch, the total resistance of the lead connecting all of the "A" remote control inputs on the SecureSwitch units to the "A" screw terminal on the Remote Selector Switch should be no more than $50/4 = 12.5$ ohms. Likewise the "B", "C", and "G" leads should also be no more than 12.5 ohms each. As a reference, the resistance of 24 AWG wire is approx 25 ohms per 1000 ft.

4. Operation

To operate the switching feature of a SecureSwitch unit that has been connected to the Remote Selector Switch as described in Section 2 Installation, simply turn the front panel mounted rotary switch knob on the Remote Selector Switch to the desired position "A", "B" or "C". The SecureSwitch will activate its switching function to connect the selected network attached to its "A", "B" or "C" port to the device attached to its COMMON port.

Note that the remote control inputs on the SecureSwitch override the operation of the front panel pushbutton switches on the SecureSwitch. Thus when a Remote Selector Switch is used to control the SecureSwitch, the SecureSwitch front panel pushbutton switches are locked out.



Example Connection Diagram

4. Troubleshooting

4.1 Calling For Support

If you determine that your Remote Selector Switch is malfunctioning, do not attempt to alter or repair the unit. It contains no user-serviceable parts. Contact Market Central, Inc. at (412) 494-2800

Before you do, make a record of the history of the problem. We will be able to provide more efficient and accurate assistance if you have a complete description of the problem, including:

- the nature and duration of the problem.
- when the problem occurs.
- the components involved in the problem.
- any particular applications that, when used, appears to create the problem or make it worse.

4.2 Shipping and Packaging

If you need to transport or ship your switch:

- Package it carefully. We recommend that you use the original container if possible.
- If you are shipping the switch for repair, make sure you include everything that came in the original package. Before you ship, contact Market Central, Inc. to get a Return Materials Authorization (RMA) number.

MARKET CENTRAL, INC.

WARRANTY AND LIMITATION OF LIABILITY

Market Central, Inc. ("Market Central") warrants that the products manufactured and sold by it or by one of its authorized resellers will, when sold, be free of defects in workmanship or material under normal service and use. Products which have been changed or altered in any manner from their original design, or which are improperly or defectively installed, serviced or used, are not covered by this warranty. If any failure to conform to this warranty becomes apparent during a period of one (1) year after date of sale, Market Central shall, upon prompt, written notice and compliance by the customer with such instructions as it shall give with respect to the return of defective products or parts, correct such non-conformity by repair or replacement of the defective part of parts. Correction in the manner provided above shall constitute a complete fulfillment of all obligations and liabilities of Market Central with respect to the quality of said products. THE FOREGOING WARRANTY IS EXCLUSIVE AND IN LIEU OF ALL OTHER WARRANTIES OF QUALITY, WHETHER WRITTEN, ORAL OR IMPLIED, INCLUDING, WITHOUT LIMITATION, ANY WARRANTY OF MERCHANTABILITY OR FITNESS FOR PURPOSE.

THIS WARRANTY AND THE OBLIGATIONS AND LIABILITIES OF MARKET CENTRAL HEREUNDER ARE EXCLUSIVE AND IN LIEU OF AND BUYER HEREBY WAIVES ALL OTHER REMEDIES, WARRANTIES, GUARANTIES OR LIABILITIES, EXPRESS OR IMPLIED, ARISING BY LAW OR OTHERWISE (INCLUDING WITHOUT LIMITATION ANY OBLIGATIONS OF MARKET CENTRAL WITH RESPECT TO FITNESS FOR PURPOSE, MERCHANTABILITY AND INDIRECT, SPECIAL OR CONSEQUENTIAL DAMAGES OR LOST PROFITS) OR WHETHER OR NOR OCCASIONED BY MARKET CENTRAL'S NEGLIGENCE. THIS WARRANTY SHALL NOT BE EXTENDED, ALTERED OR VARIED EXCEPT BY A WRITTEN INSTRUMENT SIGNED BY A DULY AUTHORIZED OFFICER OF MARKET CENTRAL.